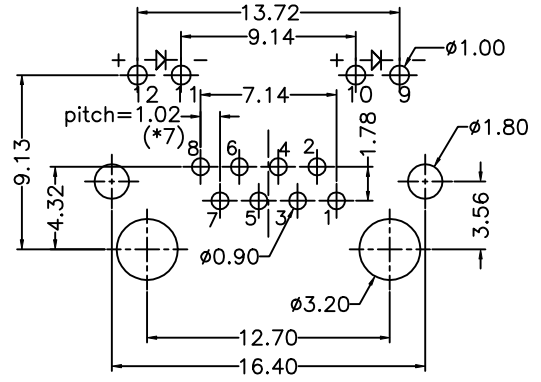
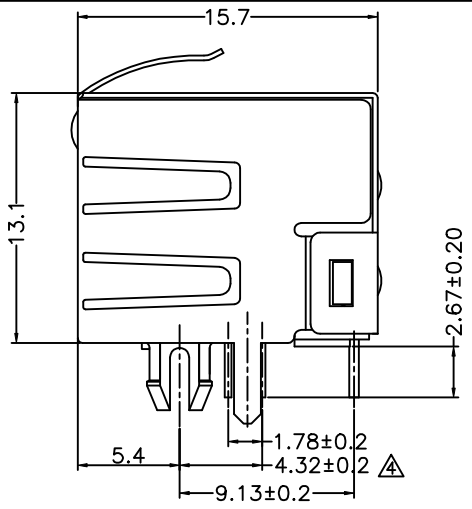
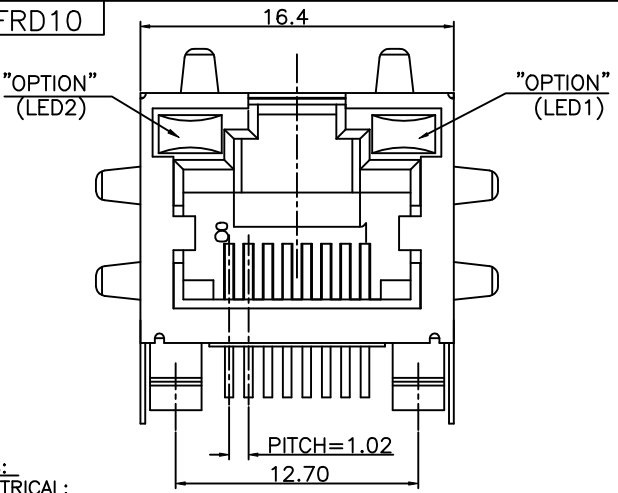


A1RFRD10

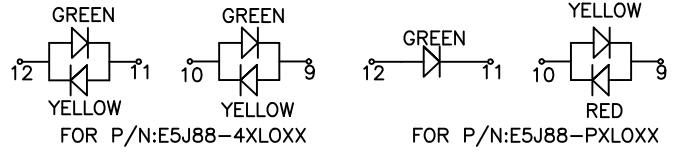
REVISION RECORD				
REV	ECO	DESCRIPTION	DRFT	CHKD
1		ADD TYPE	PETERS	03/31/05
2		ADD TYPE	Jike	04/23/05



PC Board (t=1.60mm) Layout
Component Side Shown

NOTES:

- ELECTRICAL:**
- VOLTAGE RATING : 1.5 AMP.
 - CURRENT RATING : 125 VAC RMS.
 - CONTACT RESISTANCE : 30 MILLIOHMS MAX.
 - INSULATION RESISTANCE: 1000 MEGOHMS MIN @ 500 VDC.
 - DIELECTRIC STRENGTH : 1000 VAC RMS 60Hz, 1MIN.
 - LED RATINGS: FORWARD VOLTAGE: 2.2 VOLTS TYPICAL.
REVERSE VOLTAGE: 5 VOLTS MAXIMUM.
 - OPERATING: 750 CYCLES MIN.
- MECHANICAL:**
- HOUSING MATERIAL : FR52 UL94V-0. COLOR-BLACK.
 - INSERT MATERIAL : FR52 UL94V-0. COLOR-BLACK.
 - BACK PLATE MATERIAL : FR52 COLOR-BLACK.
 - LED SIZE : 3.2*2.0*4.0*P=2.29mm.
 - SHIELD MATERIAL : COPPER ALLOY 0.25mm THICKNESS PLATING NI.
 - CONTACT MATERIAL : PHOSPHOR BRONZE 0.35mm THICKNESS OR Ø0.46mm.
 - PLATING : GOLD PLATING OVER NICKEL.
 - PCB RETENTION PRE-SOLDER : 1 LB MIN.
 - PCB RETENTION POST-SOLDER: 10 LBS MIN.
- ENVIRONMENTAL:**
- STORAGE : -40°C TO +85°C.
 - OPERATION : 0°C TO 70°C.
 - SOLDER DIP : 245± 5°C(3~5 SEC).
- MATES WITH MODULAR PLUG CONFORMING TO FCC PART 68, SUBPART F.
CUL FILE NO. E163191



△△ PART NUMBER: E 5J 8 8 - X X L X X X - L

- | | |
|------------------------------|---|
| 1-LED1:GREEN ,LED2:YELLOW . | PLATING:1-3u" 2-6u" 3-15u" 4-30u" 5-50u" |
| 2-LED1:GREEN ,LED2:GREEN . | C-"LED TYPE" TIN LEAD SHIELD STAMPED PIN. |
| 3-LED1:YELLOW ,LED2:GREEN . | D-"LED TYPE" NI LEAD SHIELD STAMPED PIN. |
| 4-LED1:G+Y ,LED2:G+Y . | J-"LED TYPE" NI LEAD SHIELD ROUND PIN. |
| 5-LED1:RED ,LED2:GREEN . | K-"LED TYPE" TIN LEAD SHIELD ROUND PIN. |
| 7-LED1:YELLOW ,LED2:YELLOW . | J-W/O LOGO A05-0130 |
| K-LED1:G+Y ,LED2:GREEN . | |
| P-LED1:Y+R ,LED2:GREEN . | |
| E-LED1:GREEN ,LED2:RED. | |
- 1-NO TAB
2-TOP TABS.
3-SIDE TABS.
4-TOP TABS & SIDE TABS.

DETACHED LISTS	MM (INCH)	DFTO PETERS	DATE 03/25/05	FULL RISE ELECTRONIC CO., LTD	
	TOLERANCES EXCEPT AS NOTED	CHKDQIANPU	DATE 2005/4/23		
	.0 ± 0.20	MFO	DATE	TITLE RJ45 SIDE ENTRY LED JACK	
	.00 ± 0.15	APPVILUSHENG	DATE 2005/4/23		
.000 ± 0.075	MATERIAL :	QTY :	DRAWING NO. GE5J3A03-LA		
ANGLES ±	FINISH :	SCALE :			SIZE A3
THIRD ANGLE PROJECTION	DO NOT SCALE DRAWING		SHEET 1 OF 1		